

ULTIMA® X5000 Gas Monitor

The future looks bright.



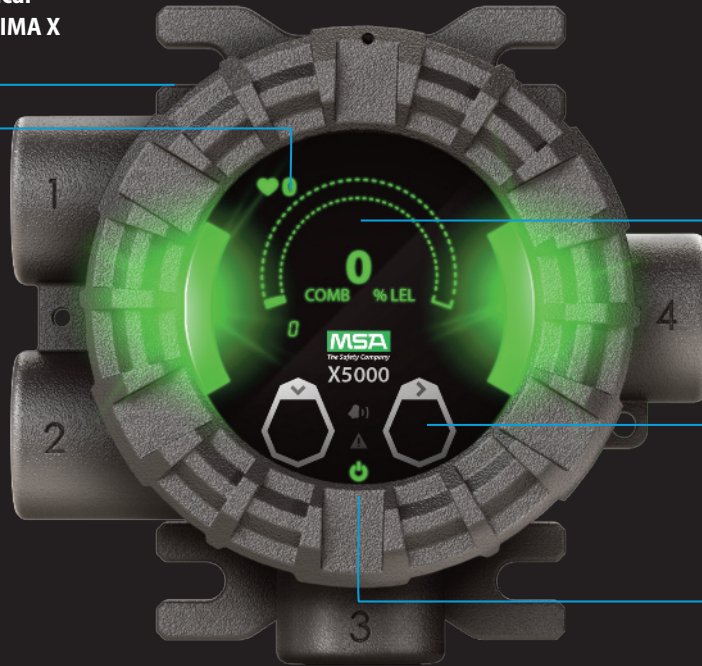
Simple retrofits have identical footprint and wiring to ULTIMA X Gas Monitor series.

Bluetooth® wireless technology allows mobile device to act as HMI screen and controller.



Download the X/S Connect App from the Google Play store.

Reduce setup time by at least 50% with the X/S Connect App



Intuitive display features new design equipped with organic LED (OLED) display, with full word text in 9 languages. Bright green, yellow and red status LEDs for extreme visibility.

Industry-first, touch-button interface provides intuitive, tool-free user experience.

Instrument status indicators illuminate power, fault and alarm conditions.

Advanced Sensor Technology

POWERED BY
XCell
SENSORS

WITH
TruCal

- Patented XCell Sensors with TruCal technology extend calibration cycles for as long as 18 months, actively monitor sensor integrity and compensate for environmental factors and electrochemical sensor drift.*
- Worry-free operation; automatically self-checks four times per day.
- Three-year warranty and five-year expected life for XCell Sensors.
- **SafeSwap** enables safe and quick XCell Sensor replacement without powering off gas detector.
- **Dual sensor capability** doubles sensing power with half the footprint of a single gas sensor transmitter.



*Only CO & H₂S XCell Sensors

Applications

- Chemical
- Oil and gas
- Petrochemical
- Utilities
- Wastewater
- General industry

ULTIMA[®] X5000 Gas Monitor

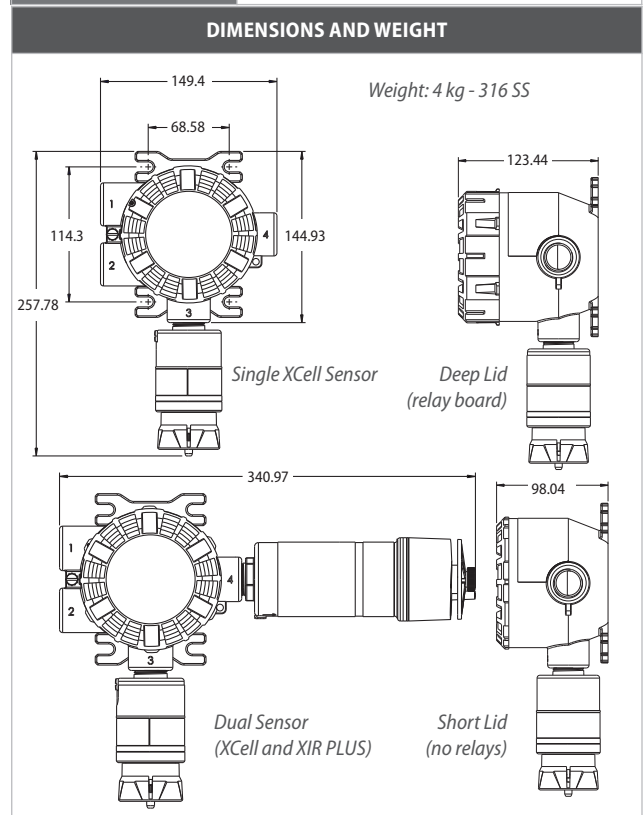
Specifications



PRODUCT SPECIFICATIONS			
COMBUSTIBLE GAS SENSOR TYPE	Catalytic Bead (XCell Comb) Infrared (XIR PLUS)		
TOXIC GAS & OXYGEN SENSOR TYPE	Carbon Dioxide (XIR PLUS) (Europe pending) Carbon Monoxide CO (XCell Toxic) Carbon Monoxide CO H ₂ -Resistant (XCell Toxic) Hydrogen Sulfide H ₂ S (XCell Toxic) Oxygen O ₂ (XCell O ₂)		
SENSOR MEASURING RANGES	Combustible: 0–100% LEL H ₂ S: 0–10, 0–50, 0–100 ppm CO ₂ : 0–2%, 0–5% Vol CO: 0–100, 0–500, 0–1000 ppm CO-H ₂ Resist: 0–100 ppm O ₂ : 0–25%		
TYPICAL SENSOR LIFE	5 years – XCell Sensors 10 years – infrared		
SENSOR PERFORMANCE*	T₉₀ (TYPICAL)	REPEATABILITY	ZERO DRIFT (PER YEAR)
XIR PLUS	< 2 sec.	+/- 1% LEL	<2% full scale
XCELL COMB	<30 sec.	+/- 1% LEL	<5% LEL
XCELL H₂S	<23 sec.	+/- 3%	<1% full scale
XCELL O₂	<11 sec.	+/- 0.1% Vol	0.2% Vol
XCELL CO	<11 sec.	+/- 3%	<1% full scale
APPROVALS CLASSIFICATION	US Divisions Class I Div 1 Groups A-D, T5, Type 4X, IP66 Class II Div 1 Groups E-G, T6; Class III US Zones Class I Zone 1 AEx db IIC T5 Gb Class II Zone 21 AEx tb IIIC T85°C Db Global Zones Ex db IIC T5 Gb Ex tb IIIC T85°C Db		
WARRANTY	X5000 Transmitter: 2 years XIR PLUS: 10 years source, 5 years electronics XCell Sensors: 3 years		
APPROVALS	CSA, ATEX, IECEx, CE Marking. Complies with C22.2 No. 152, FM 6320, RED, FCC Suitable for SIL 2		
ENVIRONMENTAL SPECIFICATIONS			
OPERATING TEMPERATURE RANGE	XCell: -40°C to +60°C XIR PLUS: -40°C to +60°C (may differ by gas, see manual)		
STORAGE TEMPERATURE RANGE	-40°C to +60°C		
RELATIVE HUMIDITY (NON-CONDENSING)	10–95% (XCell Toxics & O ₂) 0–95% (XCell Comb) 0–95% (XIR PLUS)		

*At ambient conditions

MECHANICAL SPECIFICATIONS	
INPUT POWER	10 to 30 VDC, 3 wire, <5W nominal
SIGNAL OUTPUT	Dual 4-20 mA current source, HART
BLUETOOTH (OPTIONAL)	Bluetooth Low Energy (BLE) v4.3 or higher
RELAY RATINGS	5A @ 30VDC; 5A @220 VAC (3X) SPDT – fault, warn, alarm
RELAY MODES	Common, discrete, horn
NOMINAL MAX POWER (W/ RELAYS)	XIR PLUS 6.7 W XCell Comb 5.5 W XCell Toxic & O ₂ 2.8 W XIR PLUS and XCell Comb 9.6 W XIR PLUS and XCell Toxic & O ₂ 7.0 W Dual XIR PLUS 11.6 W Dual XCell Toxic & O ₂ 3.6 W Dual XCell Comb 10.6 W Dual XCell Comb and XCell Toxic & O ₂ 5.5 W
EMC DIRECTIVE	Complies with EN 50270 type 2, EN 61000-6-4, EN 61000-6-3
DISPLAY	Organic LED (multi-lingual) with Contrast Ratio of 2000:1 and View Angle of 160°
HART	HART 7, HART device description language available
FAULTS MONITORED	Low supply voltage, RAM checksum error, flash checksum error, EEPROM error, internal circuit error, relay, invalid sensor configuration, sensor faults, calibration faults, general system
WIRING REQUIREMENTS	3-wire (single sensor) or 4-wire (dual sensor) shielded cable. <i>Refer to manual for mounting distances and wire gauge.</i>



Subject to change without notice
ID 07-723.2 GB/02